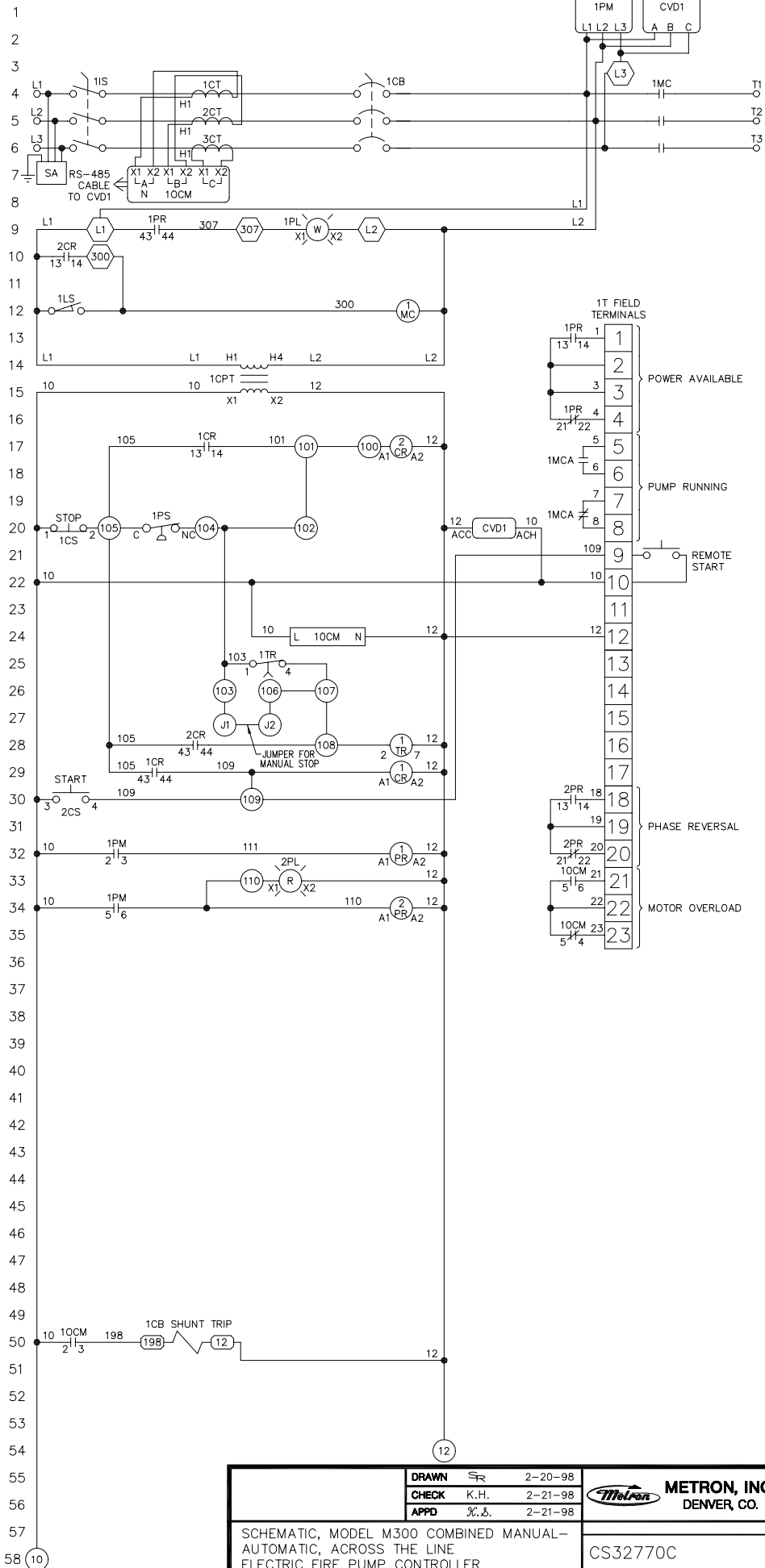


| COMPONENTS | FUNCTION | LOCATION | CONTACTS |
|------------|----------|----------|----------|
|------------|----------|----------|----------|

| | | | |
|------|-------------------------------|-------|----------|
| 1CR | MANUAL START RELAY | 29 | 17,29 |
| 2CR | START RELAY | 17 | 10,28 |
| 1PR | POWER FAILURE RELAY | 32 | 9,13,16 |
| 2PR | PHASE REVERSAL RELAY | 34 | 30,32 |
| 1TR | RUN PERIOD TIMER | 28 | 25 |
| 1MC | RUN CONTACTOR 1 | 12 | 4,5,6 |
| 10CM | OVERCURRENT MONITOR | 7,24 | 33,35,50 |
| 1MCA | 1MC AUXILIARY CONTACT | 17,19 | |
| 1CS | STOP SWITCH | 20 | |
| 2CS | START SWITCH | 30 | |
| 1IS | NORMAL POWER ISOLATION SWITCH | 4,5,6 | |
| 1LS | EMERGENCY START LIMIT SWITCH | 12 | |
| 1CB | CIRCUIT BREAKER | 4,5,6 | 50 |
| 1PS | PRESSURE SWITCH | 20 | |
| 1CPT | CONTROL POWER TRANSFORMER | 14 | |
| 1PM | POWER MONITOR | 1 | 32,34 |
| 1CT | CURRENT TRANSFORMER | 4 | |
| 2CT | CURRENT TRANSFORMER | 5 | |
| 3CT | CURRENT TRANSFORMER | 6 | |
| CVD1 | NORM. CURRENT/VOLTAGE DISPLAY | 1,20 | |
| SA | SURGE ARRESTOR | 7 | |
| 1PL | POWER ON LIGHT | 9 | |
| 2PL | PHASE REVERSAL LIGHT | 33 | |



NOTES FOR FIELD WIRING:
 USE COPPER WIRING ONLY EXCEPT AT TERMINALS MARKED CU-AL. ALL 1T FIELD TERMINAL CONTACTS RATED 10A @ 600VAC.
 □ DENOTES TERMINALS ON 1T TERMINAL STRIP
 ○ DENOTES TERMINALS ON 2T TERMINAL STRIP
 ○ DENOTES TERMINALS ON 3T TERMINAL STRIP
 ○ DENOTES TERMINALS ON 4T TERMINAL STRIP

THERE IS A RS-485 CABLE THAT CONNECTS THE CVD TO THE OCM.

| THE FOLLOWING TERMINAL JUMPERS ARE INSTALLED | | | |
|----------------------------------------------|---------|-----------|-----------|
| J-1-2 | J-9-109 | J-100-101 | J-103-104 |
| J-1-103 | J-10-10 | | |
| J-2-106 | | | |
| | J-12-12 | J-101-102 | J-106-107 |
| J-2-3 | | J-102-103 | J-107-108 |

| | | |
|-------|------|---------|
| DRAWN | SR | 2-20-98 |
| CHECK | K.H. | 2-21-98 |
| APPD | J.C. | 2-21-98 |



SCHEMATIC, MODEL M300 COMBINED MANUAL-AUTOMATIC, ACROSS THE LINE ELECTRIC FIRE PUMP CONTROLLER

CS32770C

SCALE N.T.S. SHEET 1 OF 1